

**General Comments**

See Our Associated Accessories:

[Road Plate Securing Collar](#)

[Single Leg Drop Chain - 1M](#)

[Permanent Magnetic Lifter](#)

See Our Associated Products:

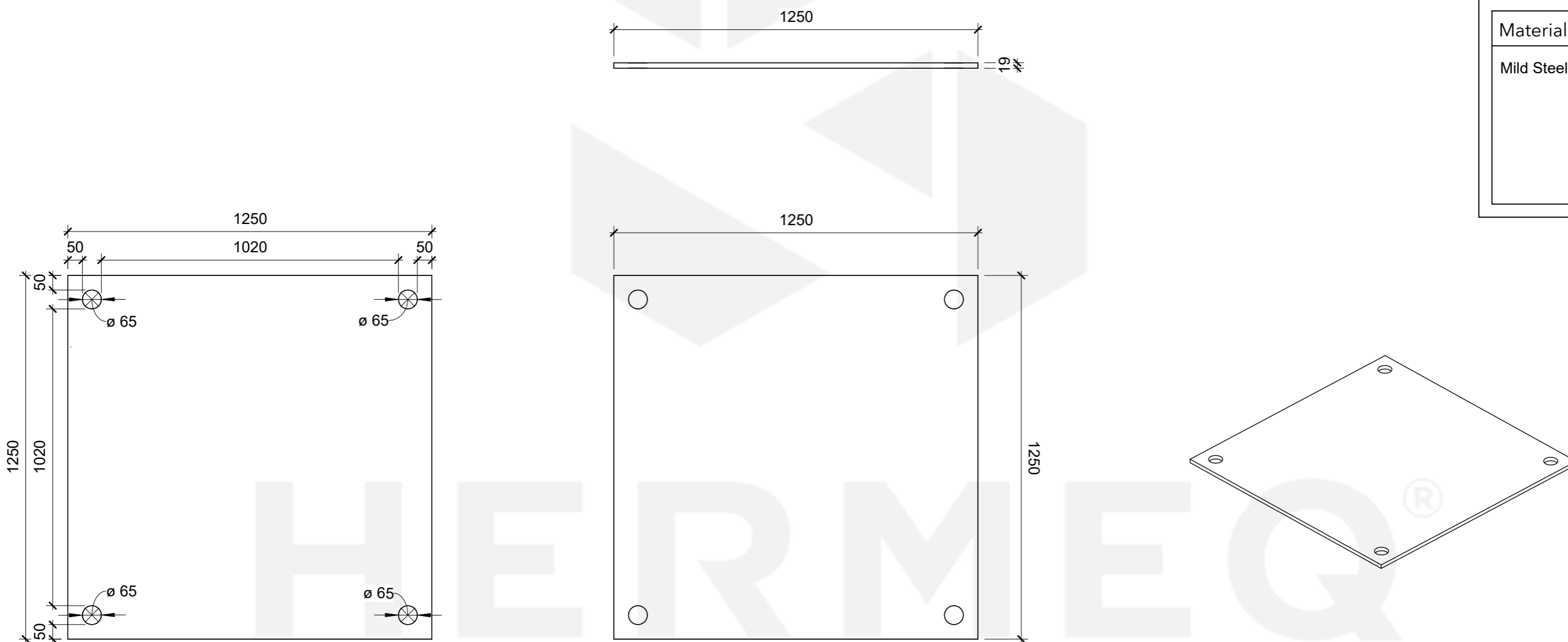
[Safe Plate - Hi Vis Road Plate](#)

[Trench Cover - Steel Plate](#)

[Hole Cover - Steel Plate](#)

**Materials**

Mild Steel



No.	Description	Date

Item	Component Description	Quantity

<b>ANTI SLIP ROAD PLATE - TRENCH COVER</b>			
<b>- 1250MM X 1250MM X 19MM</b>			
Weight	230KG	Serial Number	Revision
Date	10/07/2023	RP1446	
Drawn by	JT		
Checked by	Checker	Scale	1 : 15 @A3