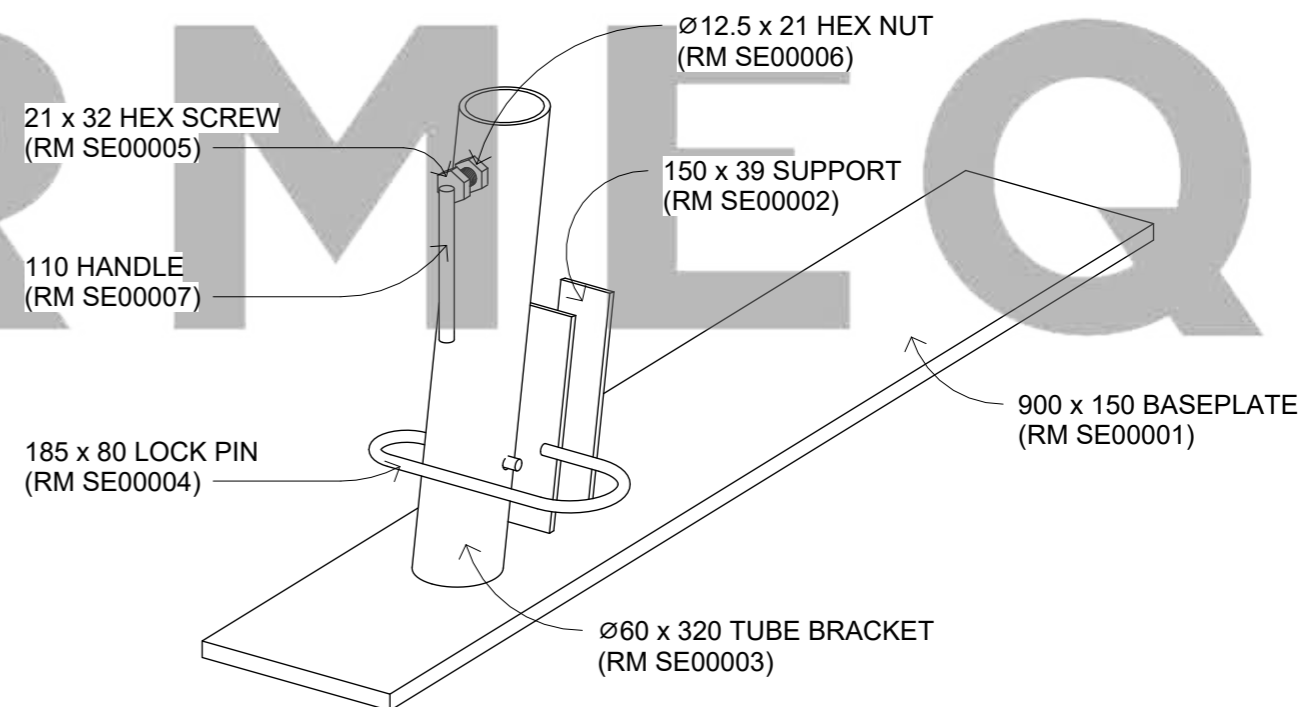
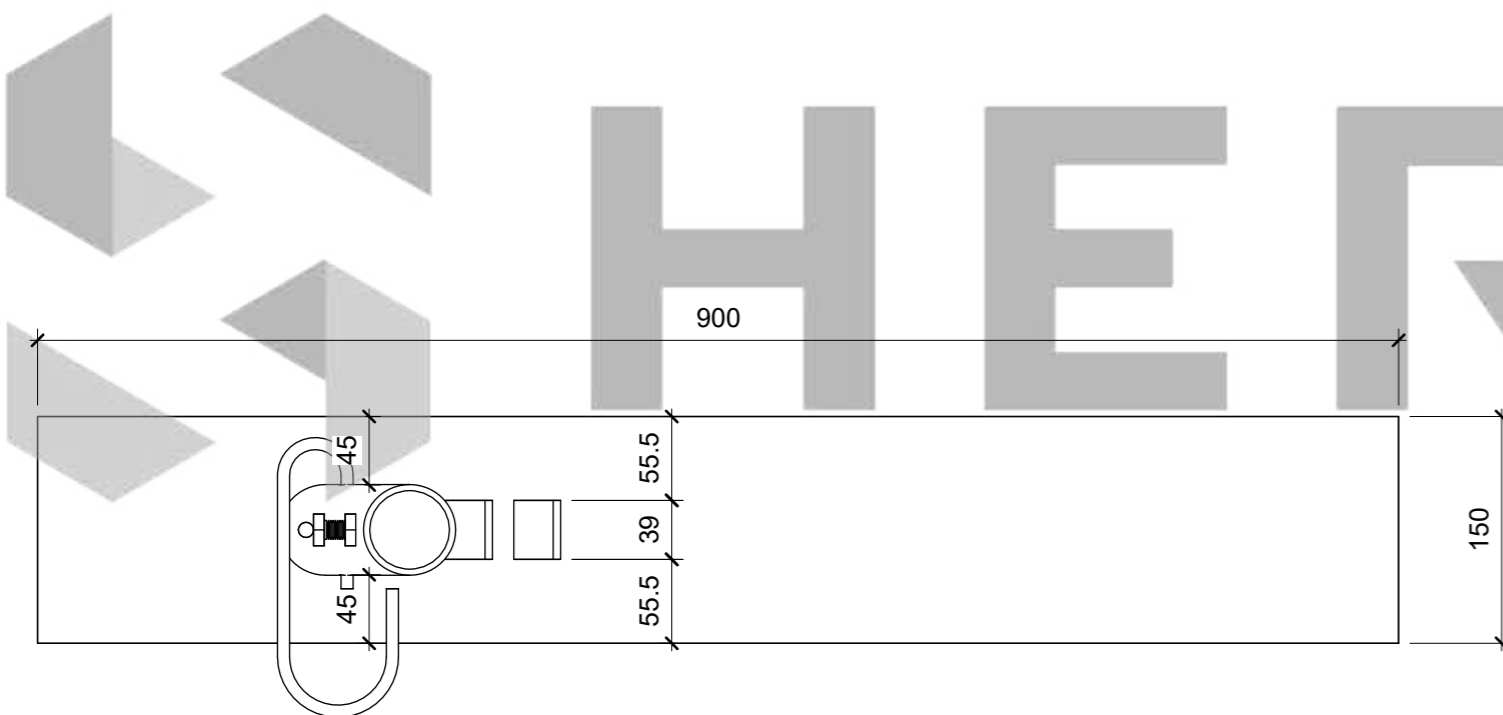
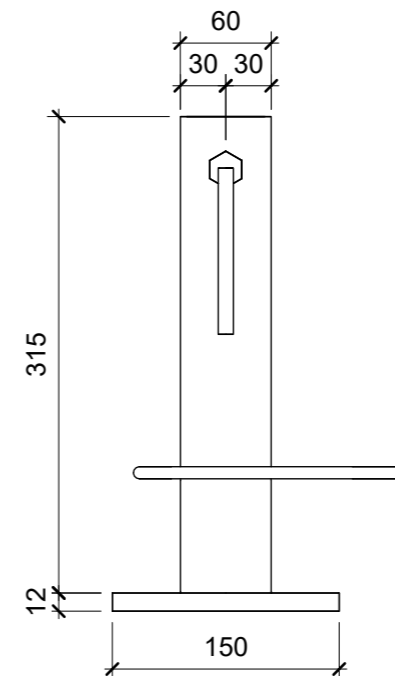
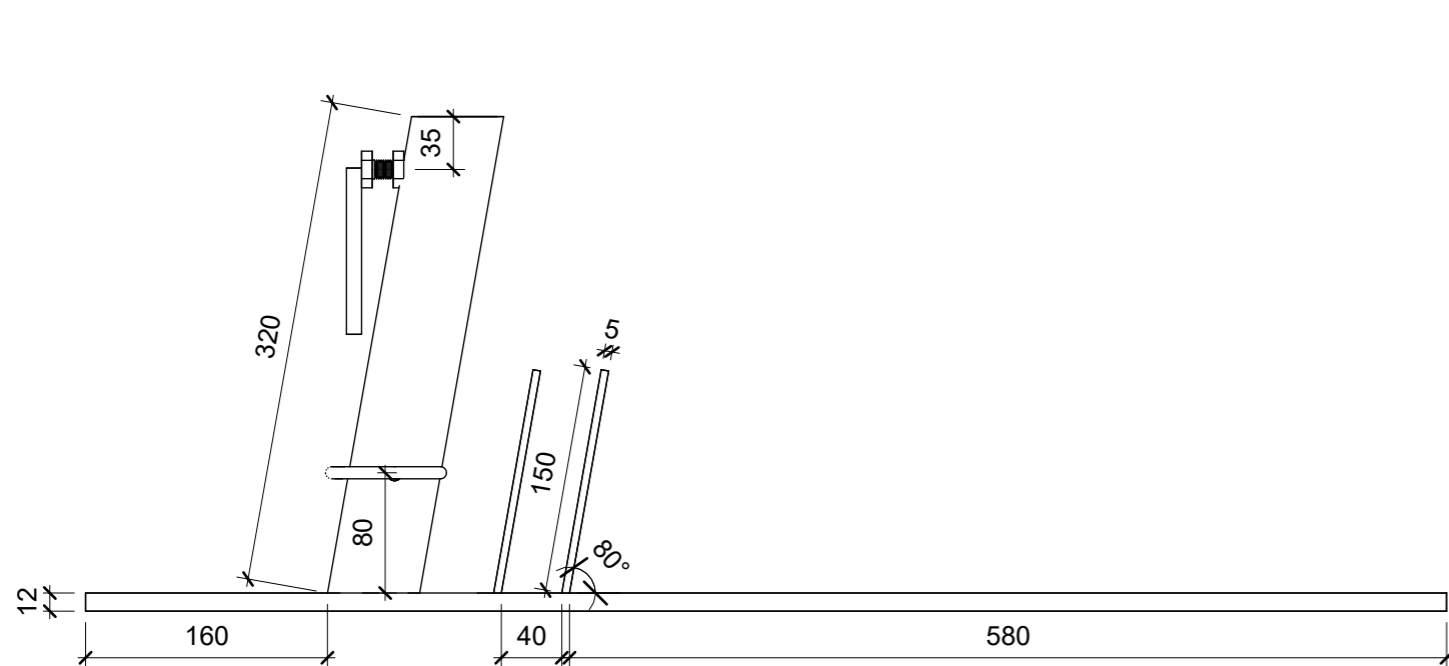


General Comments

Materials

Galvanised Steel



Email: sales@hermeq.com

Phone: 0121 725 2338

No.	Description	Date

Item	Component Description	Quantity
RM SE00001	G12mm - 900mm x 150mm BASEPLATE	1
RM SE00002	G5mm - 150mm x 39mm SUPPORT	2
RM SE00003	G4mm - Ø60mm x 320mm TUBE BRACKET	1
RM SE00004	GØ8mm - 185mm x 80mm LOCK PIN	1
RM SE00005	GØ12.5mm - 21mm x 32mm HEX SCREW	1
RM SE00006	G7mm - Ø12.5mm x 21mm HEX NUT	1
RM SE00007	GØ10mm - 110mm HANDLE	1

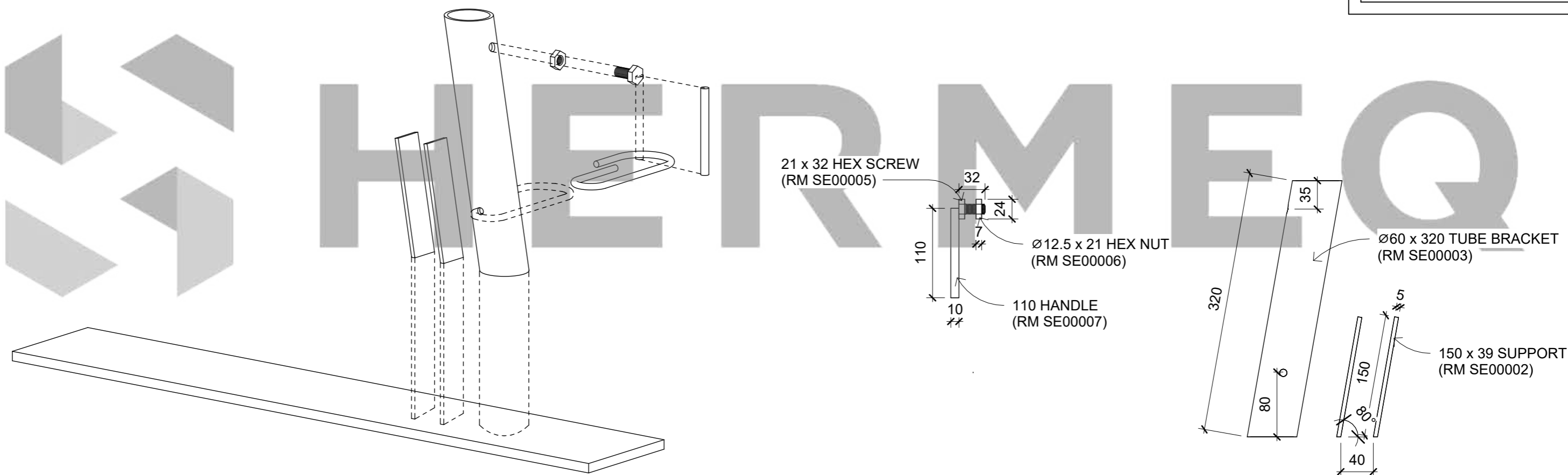
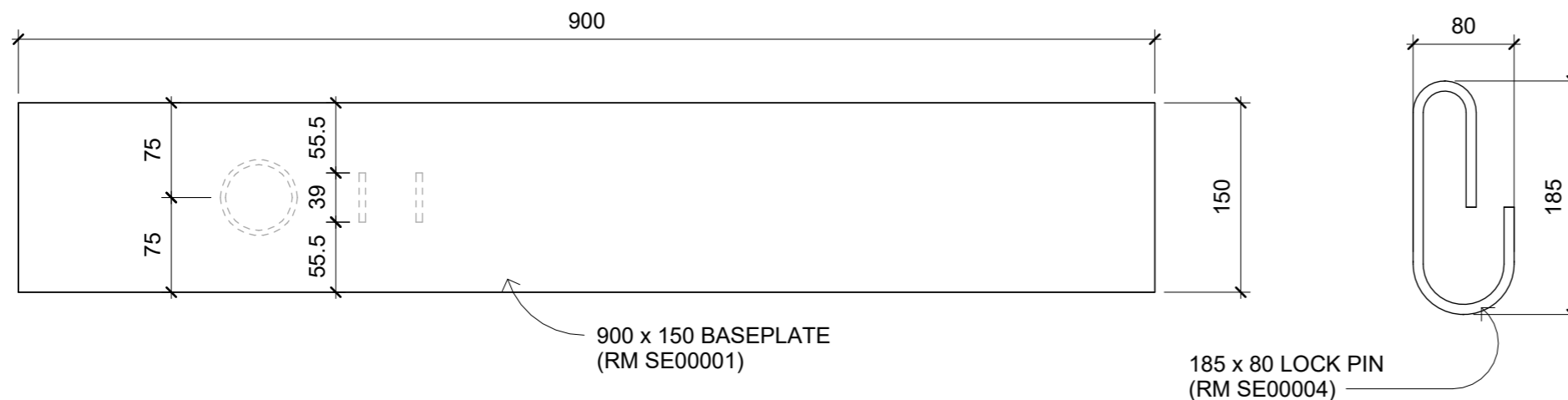
SG4 HANDRAIL FEET

Weight	N/A	Serial Number	Revision
Date	04/04/2023	SE500375	
Drawn by	JT		
Checked by	Checker	Scale	1 : 5 @A3

General Comments

Materials

Galvanised Steel



Email: sales@hermeq.com

Phone: 0121 725 2338

No.	Description	Date

Item	Component Description	Quantity
RM SE00001	G12mm - 900mm x 150mm BASEPLATE	1
RM SE00002	G5mm - 150mm x 39mm SUPPORT	2
RM SE00003	G4mm - Ø60mm x 320mm TUBE BRACKET	1
RM SE00004	GØ8mm - 185mm x 80mm LOCK PIN	1
RM SE00005	GØ12.5mm - 21mm x 32mm HEX SCREW	1
RM SE00006	G7mm - Ø12.5mm x 21mm HEX NUT	1
RM SE00007	GØ10mm - 110mm HANDLE	1

SG4 HANDRAIL FEET

Weight	N/A	Serial Number	Revision
Date	04/04/2023	SE500375 BD	
Drawn by	JT		
Checked by	Checker	Scale	1 : 5 @A3