

General Comments

Materials

Galvanised To BS EN ISO 1461

RM AR00004 (BSEN 10025 S275JR)

RM AR00002 (BSEN 10025 S275JR)

RM AR00003 (BSEN 10130 DC01)



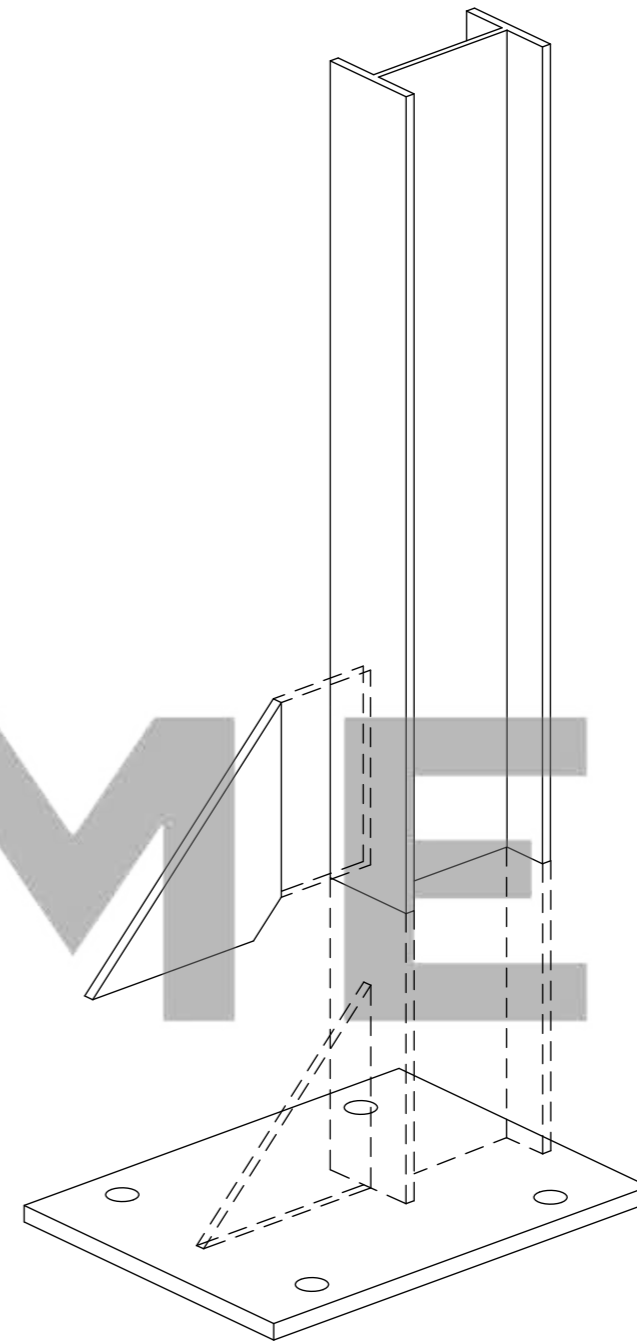
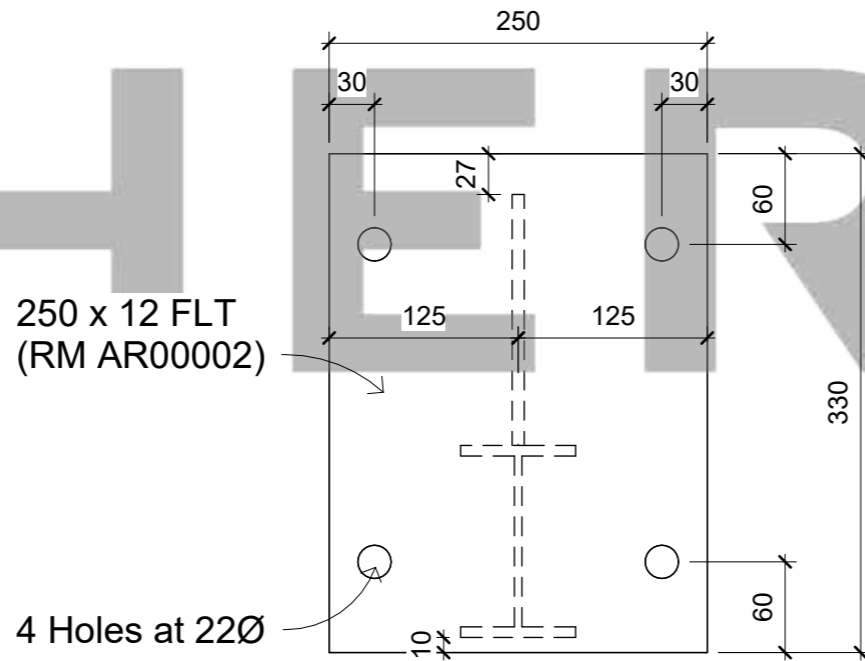
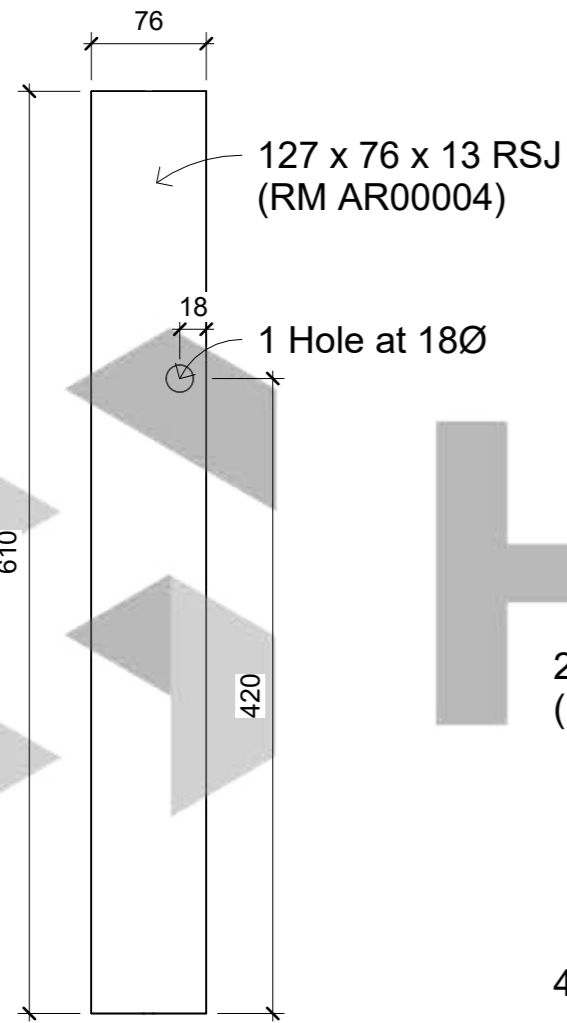
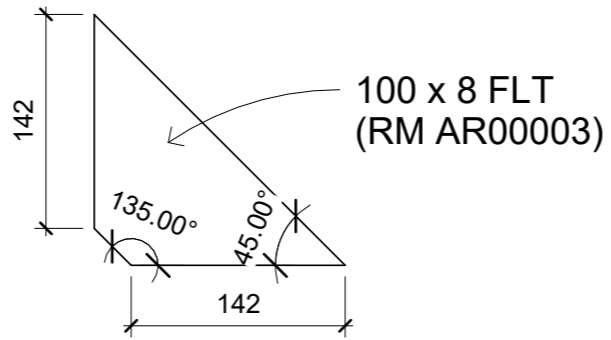
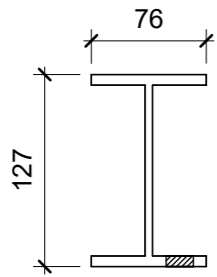
Email: sales@hermeq.com

Phone: 0121 725 2338

No.	Description	Date
A	Updated Part Numbers	30/03/23

Item	Component Description	Quantity
RM AR00004	127mm x 76mm x 13KG RSJ	1
RM AR00002	250mm x 330mm x 12mm FLAT	1
RM AR00003	100mm x 8mm FLAT	1

RSJ POST – BOLT DOWN			
Weight	N/A	Serial Number	Revision
Date	21/03/2023	AR133847	A
Drawn by	JT	Scale	1 : 5 @A3
Checked by	Checker		



General Comments

Materials

Galvanised To BS EN ISO 1461

RM AR00004 (BSEN 10025 S275JR)

RM AR00002 (BSEN 10025 S275JR)

RM AR00003 (BSEN 10130 DC01)



Email: sales@hermeq.com

Phone: 0121 725 2338

No.	Description	Date
A	Updated Part Numbers	30/03/23

Item	Component Description	Quantity
RM AR00004	127mm x 76mm x 13KG RSJ	1
RM AR00002	250mm x 330mm x 12mm FLAT	1
RM AR00003	100mm x 8mm FLAT	1

RSJ POST – BOLT DOWN			
Weight	N/A	Serial Number	Revision
Date	21/03/2023	AR133847 BD	A
Drawn by	JT		
Checked by	Checker	Scale	1 : 5 @A3