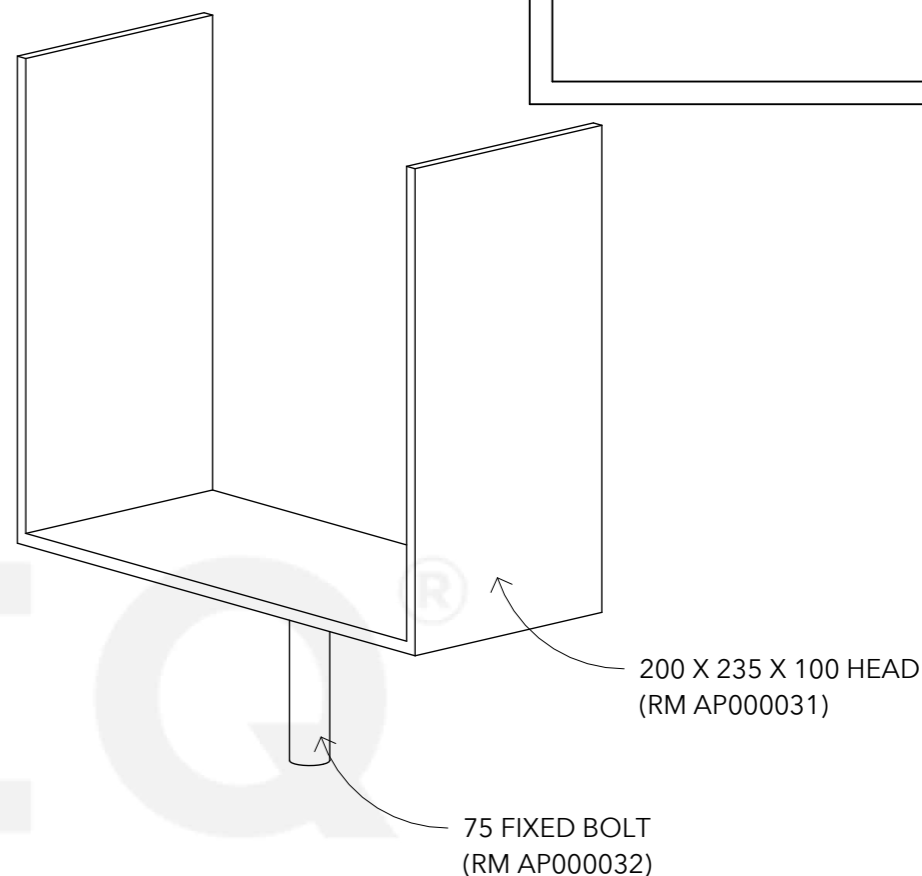
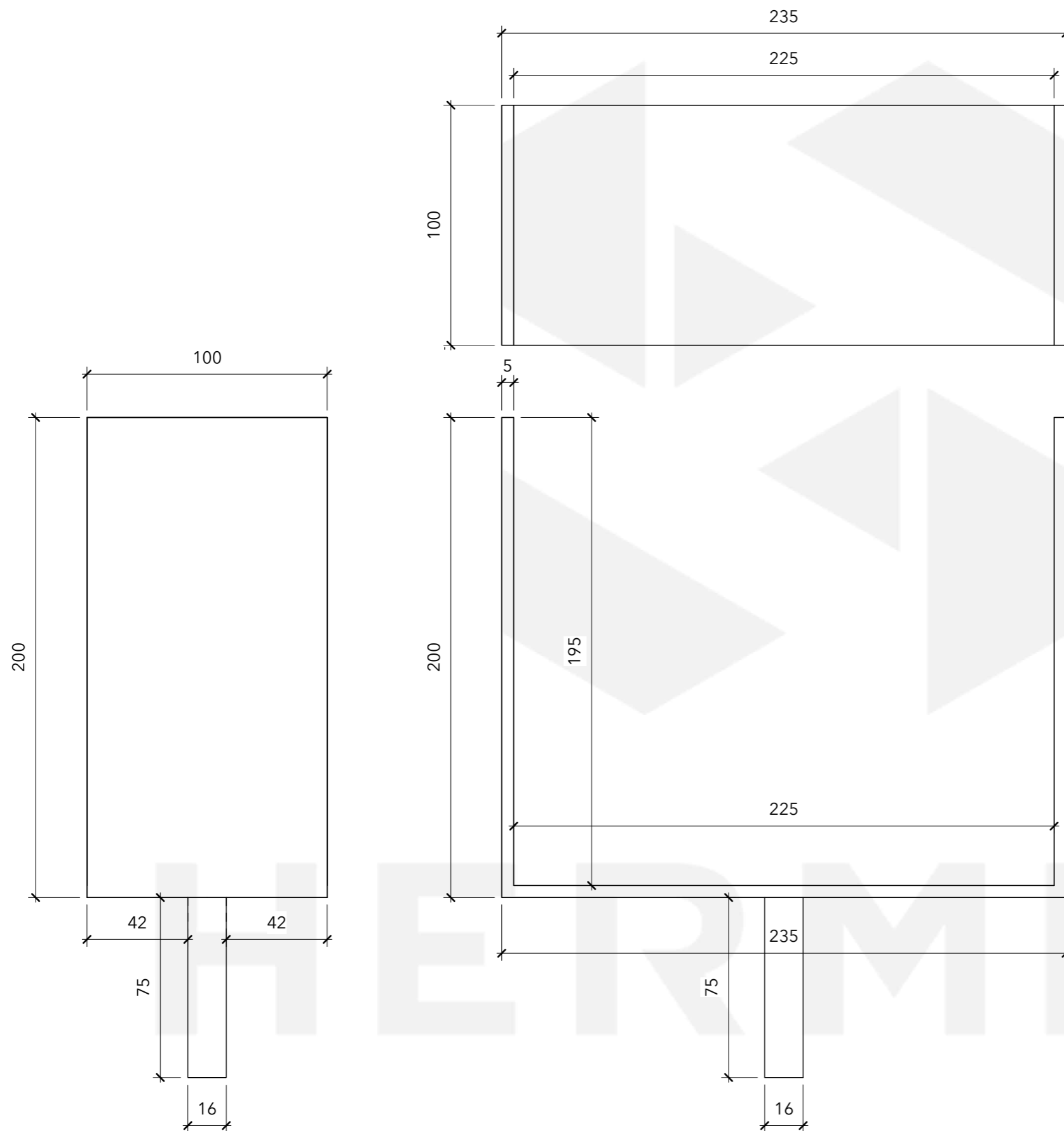


General Comments

See Our Associated Products:
[Adjustable Push-Pull Props](#)
[Steel Ladder Beams](#)
[Stair Treads](#)
[Steel Scaffolding Tube](#)
[Scaffold Sheeting](#)

Materials

Galvanised Steel



No.	Description	Date

Item	Component Description	Quantity
RM AP000031	G5MM - 200MM X 235MM X 100MM HEAD	1
RM AP000032	GØ16MM - 75MM FIXED BOLT	1

FIXED U-HEAD - 200MM			
Weight	N/A	Serial Number	Revision
Date	10/08/2023	AP3373	
Drawn by	JT		
Checked by	Checker	Scale	1 : 2 @A3